

9

8

7

6

5

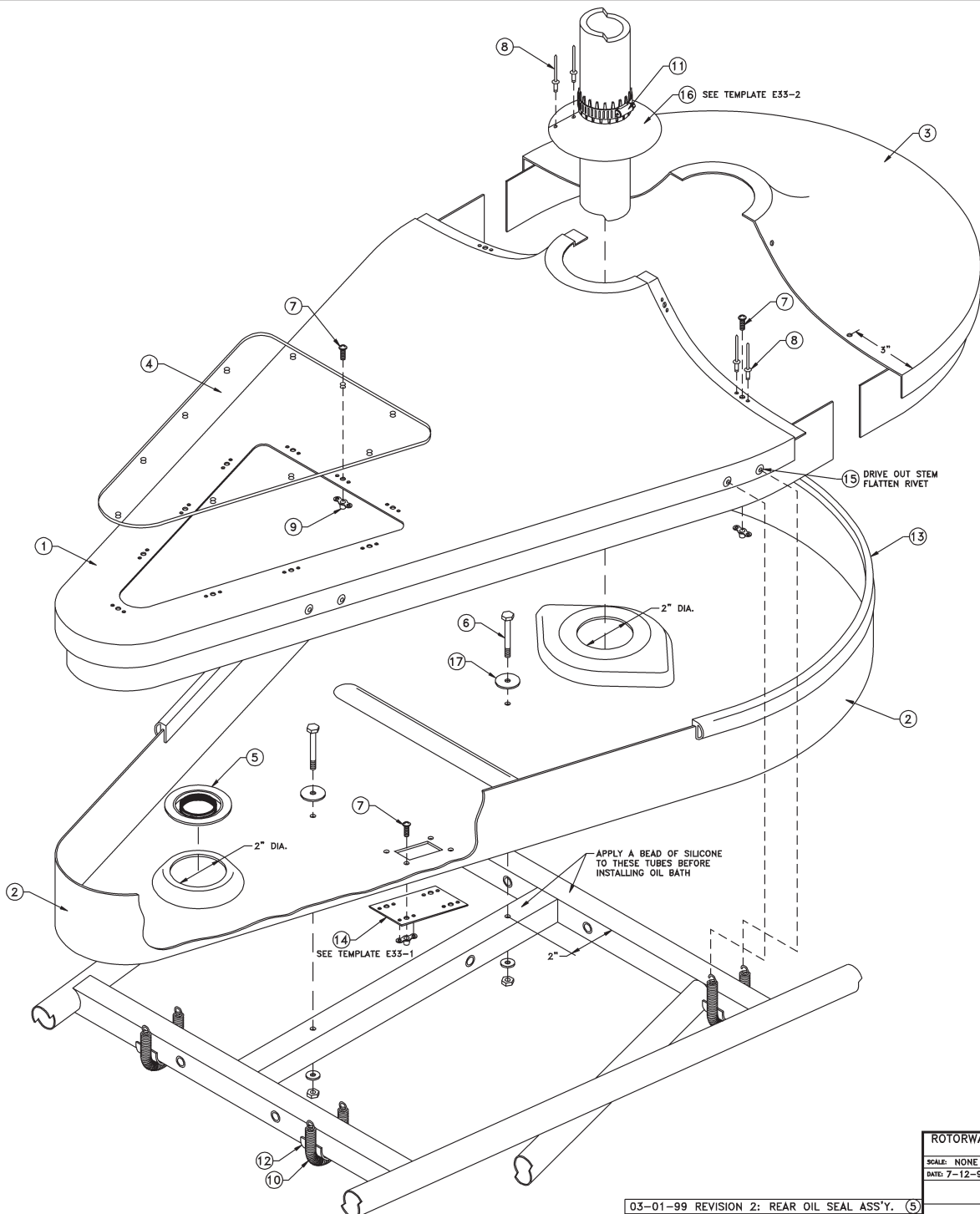
4

3

2

1

REF. NO.	PART NO.	PART NAME	QTY.
1.	E33-7101	TOP REAR COVER.....	1
2.	E33-7121	LOWER OIL BATH PAN.....	1
3.	E33-7111	TOP FRONT COVER.....	1
4.	E33-6100	MASTER LINK INSPECTION WINDOW.....	1
5.	E33-1170	REAR OIL SEAL ASSY.....	1
6.	E00-2308	BOLT 3/16 X 1-5/8.....	2
7.	E00-1200	8-32 X 7/16 PHILLIPS HEAD SCREW.....	18
8.	E00-6200	3/32 X 1/8 ALUM. CSK. POP RIVET.....	36
9.	E00-7000	8-32 NUT PLATE.....	18
10.	E33-1140	TENSION SPRINGS.....	4
11.	E00-9028	HOSE CLAMP #28.....	1
12.	E33-1160	RUBBER SPRING CUSHIONS.....	4
13.	E33-1190	RUBBER STRIPPING (88").....	1
14.	E33-1150	MASTER LINK INSERTION PLATE.....	1
15.	E00-6208	5/32 X 1/8 ALUM. POP RIVETS.....	8
16.	E33-3000	RAIN SHIELD (FROM E24-9780).....	1
17.	E00-4302	3/16 FENDER WASHER.....	2



A

B

C

D

E

03-01-99 REVISION 2: REAR OIL SEAL ASS'Y. (5)  
 11-12-96 REVISION 1: DELRIN OIL SEAL ASS'Y. (5)

ROTORWAY INTERNATIONAL CHANDLER, ARIZONA	
SCALE: NONE	APPROVED BY:
DATE: 7-12-96	REVISED: 03-01-99
OIL BATH	
DRAWING NUMBER E33-2000-2	